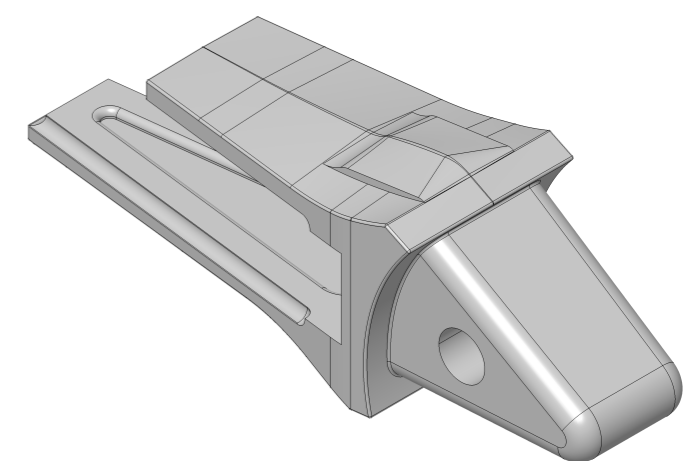
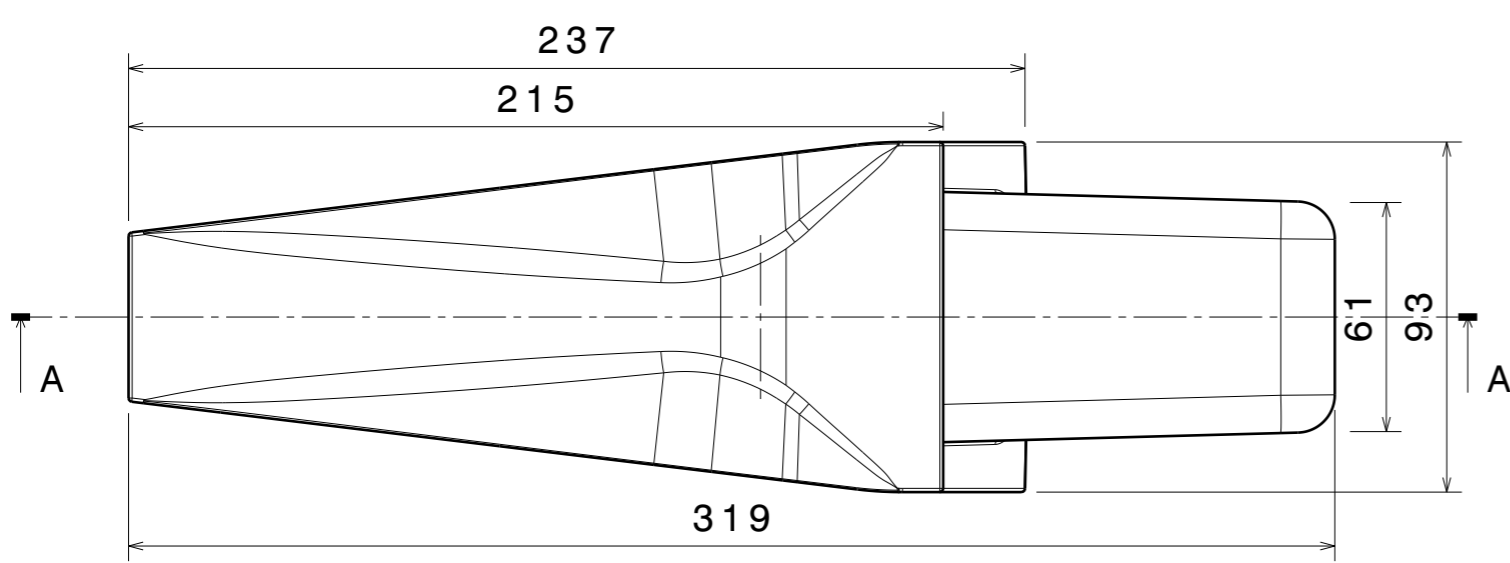
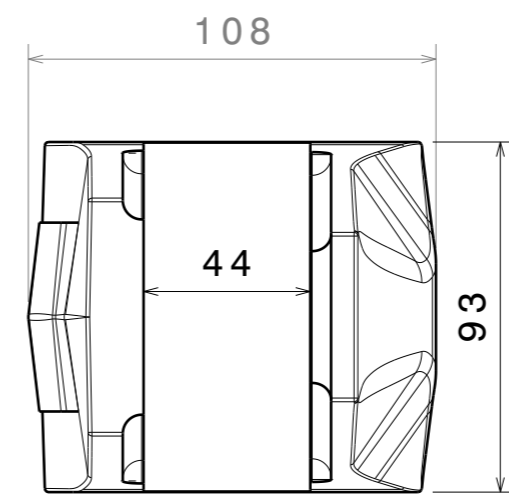


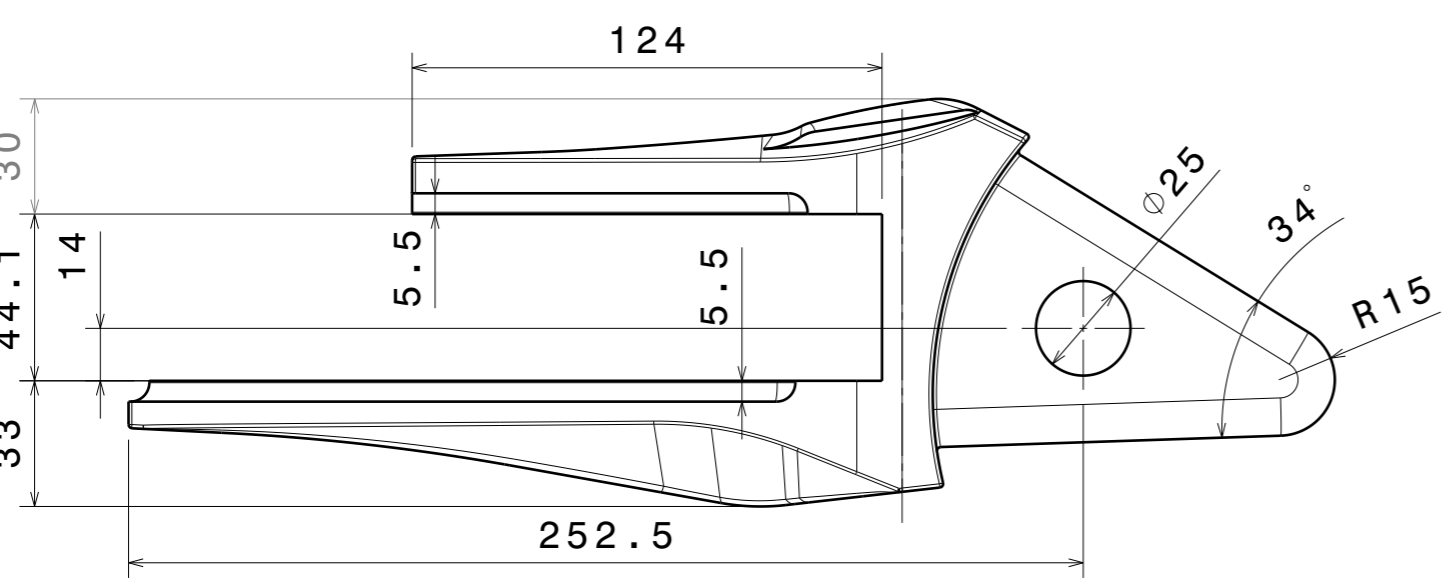
| Tolerance | |
|-----------|-------------|
| coasting | Fabricaton |
| Foam puya | ISO 2768(c) |



Isometric



Section A-A



| Surface Qualities (DIN 4766 T2) | | | | | | | | | | |
|---------------------------------|----|------|-----|-----|-----|-----|-----|-----|-----|------|
| Zarrin kupal Puya No. | 10 | ⑨ | 8 | 7 | 6 | 5 | 4 | 3 | 2 | 1 |
| Micron Ra | 25 | 12.5 | 6.3 | 3.2 | 1.6 | 0.8 | 0.4 | 0.2 | 0.1 | 0.05 |
| Machining Symbols | — | ~ | ∇ | ∇ | ∇∇ | | | | | |

| | | | | | | |
|-------------------------------|-----------------------------------|------------------------------------------|------------------------|-----------------|--|--|
| | | POOLAD FOAM PUYA Co. | | | | |
| Project : Fork | | Sheet 1 of 1 All Dimensions are in mm | | | | |
| Prototype E.Froozan | Drawn M.Absalan | Title: | | | | |
| Check K.Salekfard | Appr. H.Sorkhabi | | | | | |
| Scale: N.T.S | Material: See part list | Weight Kg: See part list | Drawing No:(A3) | Rev. | | |

| Rev. | Modification | Date | Drawn | Checked | Appr. |
|------|------------------|--------|-----------|-----------|-------|
| ① | General Revision | 95.7.5 | M.Absalan | E.Froozan | |

This drawing is our property. It can't be reproduced or communicated without our written agreement.