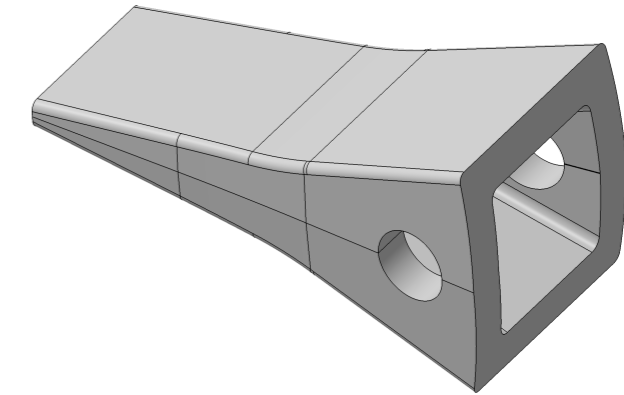
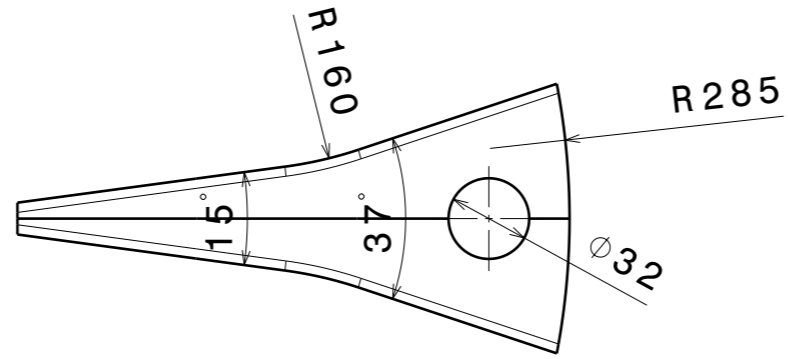
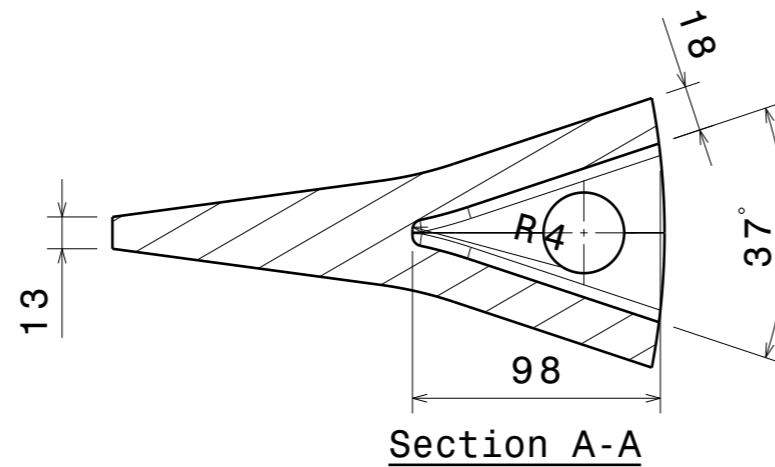
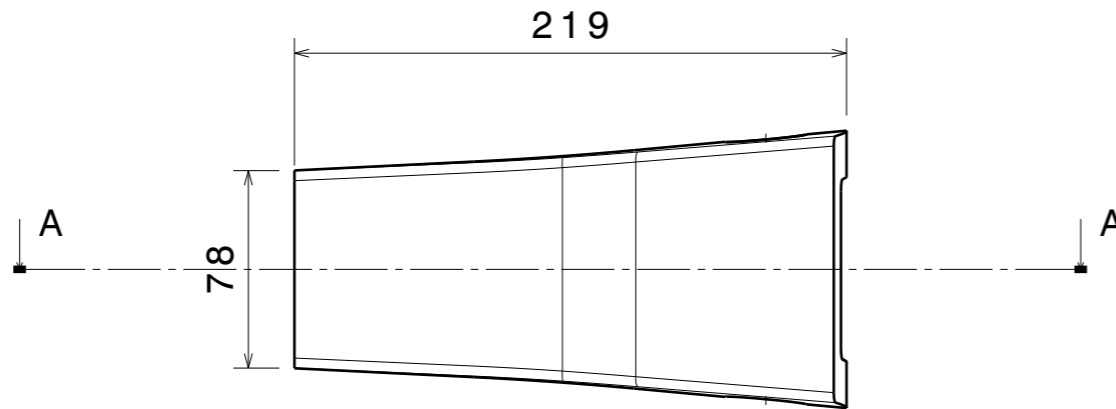
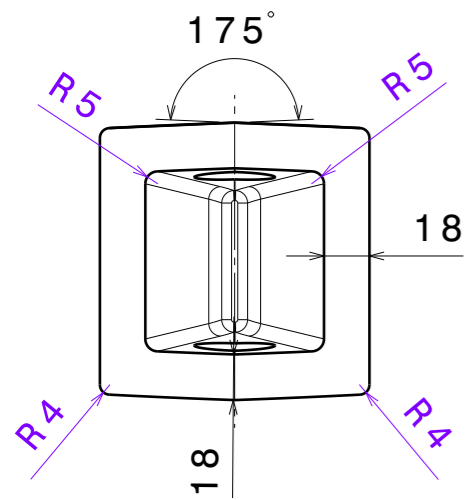


Tolerance	
coasting	Fabricaton
Foam puya	ISO 2768(c)



Isometric



Section A-A

Rev.	Modification	Date	Drawn	Checked	Appr.
◇	General Revision	95.5.14	M.Absalan	E.Froozan	

	POOLAD FOAM PUYA Co.		
	Project : Fork		

Prototype	E.Froozan	Title: 205-70-19570		
Drawn	M.Absalan			
Check	K.Salekfard			
Appr.	H.Sorkhabi			
Scale:	Material:	Weight Kg:	Drawing No:(A3)	Rev.
N.T.S	See part list	See part list		◇

Surface Qualities (DIN 4766 T2)										
Zarrin kupal Puya No.	10	⑨	8	7	6	5	4	3	2	1
Micron Ra	25	12.5	6.3	3.2	1.6	0.8	0.4	0.2	0.1	0.05
Machining Symbols	—	~	▽	∇	∇∇					

This drawing is our property. It can't be reproduced or communicated without our written agreement.