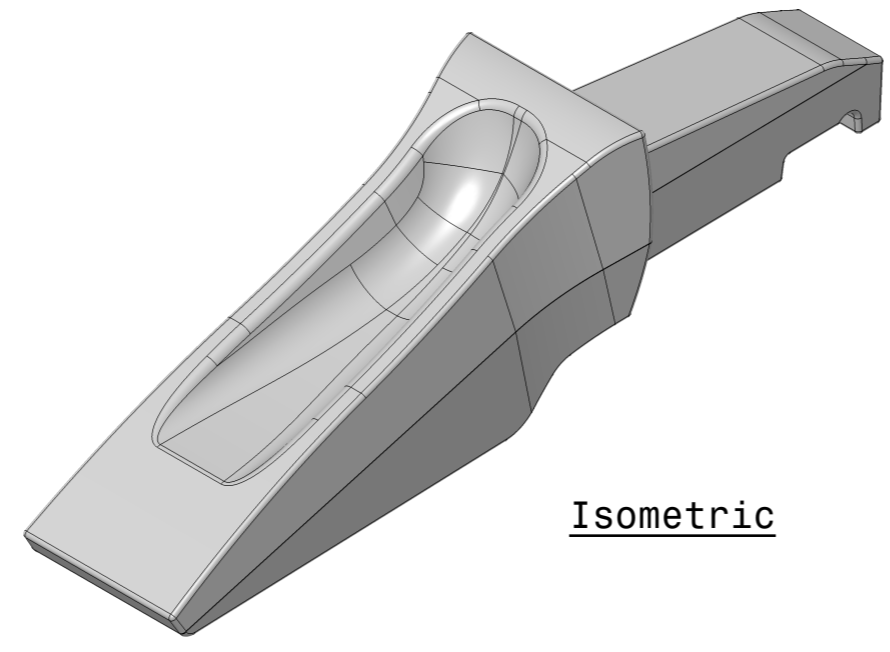
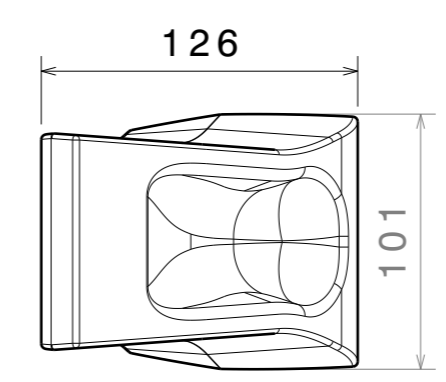
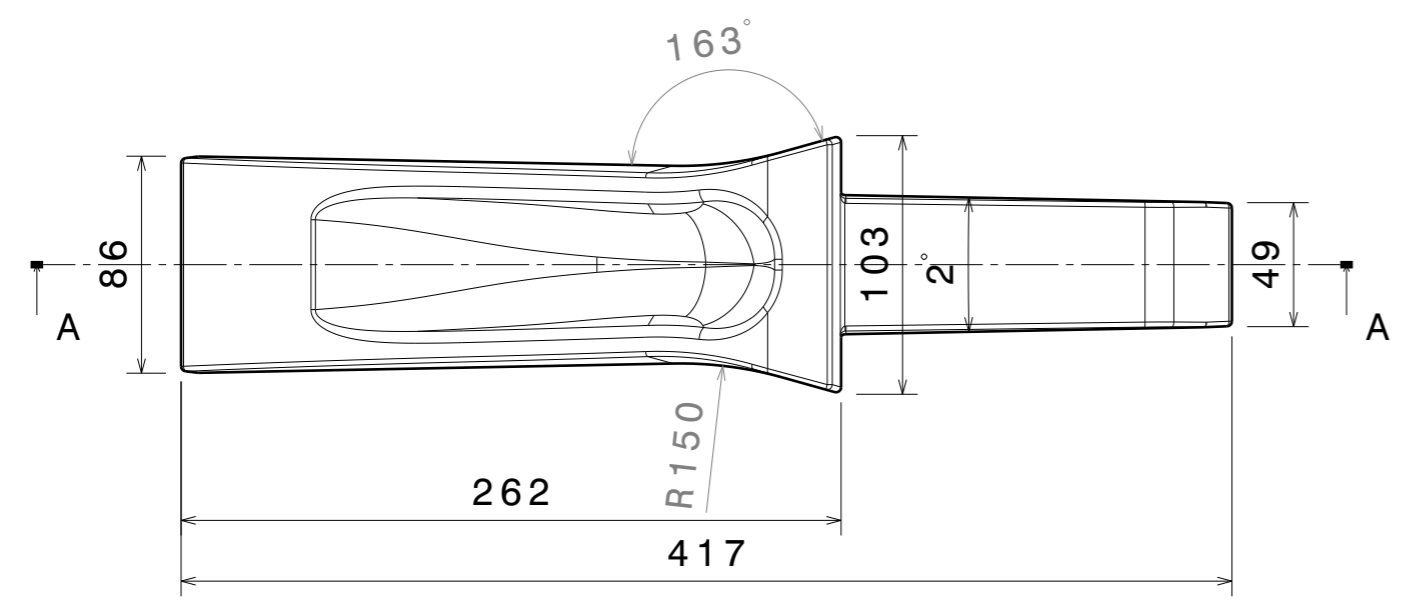
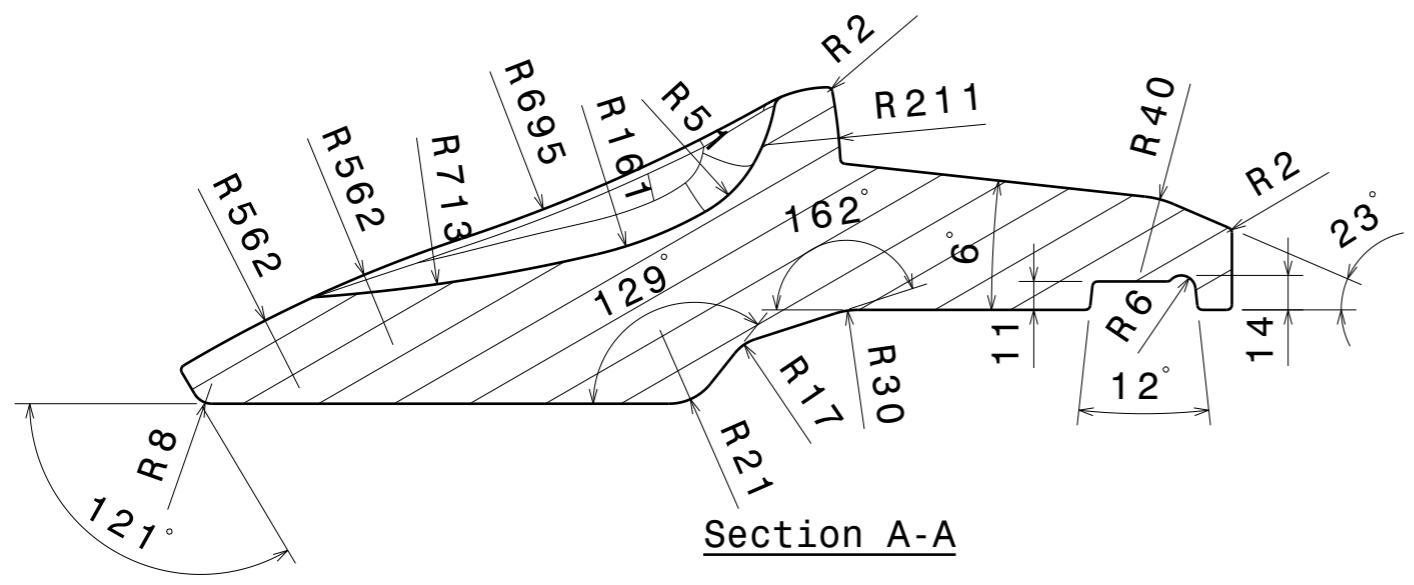


Tolerance

coasting	Fabricaton
Foam puya	ISO 2768(c)



Surface Qualities (DIN 4766 T2)										
Zarrin kupal Puya No.	10	⑨	8	7	6	5	4	3	2	1
Micron Ra	25	12.5	6.3	3.2	1.6	0.8	0.4	0.2	0.1	0.05
Machining Symbols	—	~	▽	∇	∇∇					

		POOLAD FOAM PUYA Co.				
Project : Fork		Sheet 1 of 1 All Dimensions are in mm				
Prototype Drawn Check Appr.	E.Froozan M.Absalan K.Salekford H.Sorkhabi	Title: volvo 4600	Date 95.5.29	Drawn M.Absalan	Checked E.Froozan	Appr.
Scale: N.T.S	Material: See part list	Weight Kg: See part list	Drawing No:(A3)	Rev.		

This drawing is our property. It can't be reproduced or communicated without our written agreement.