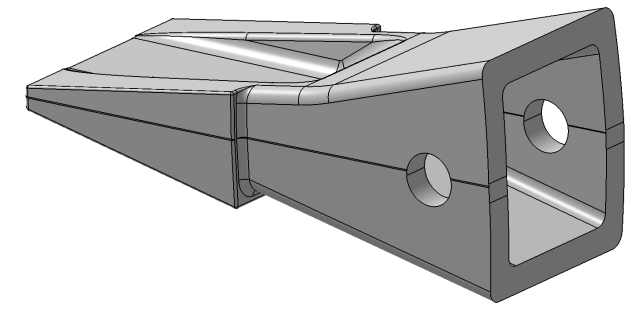
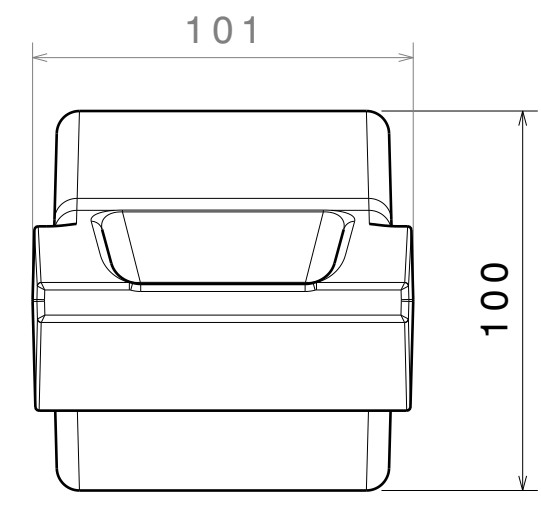
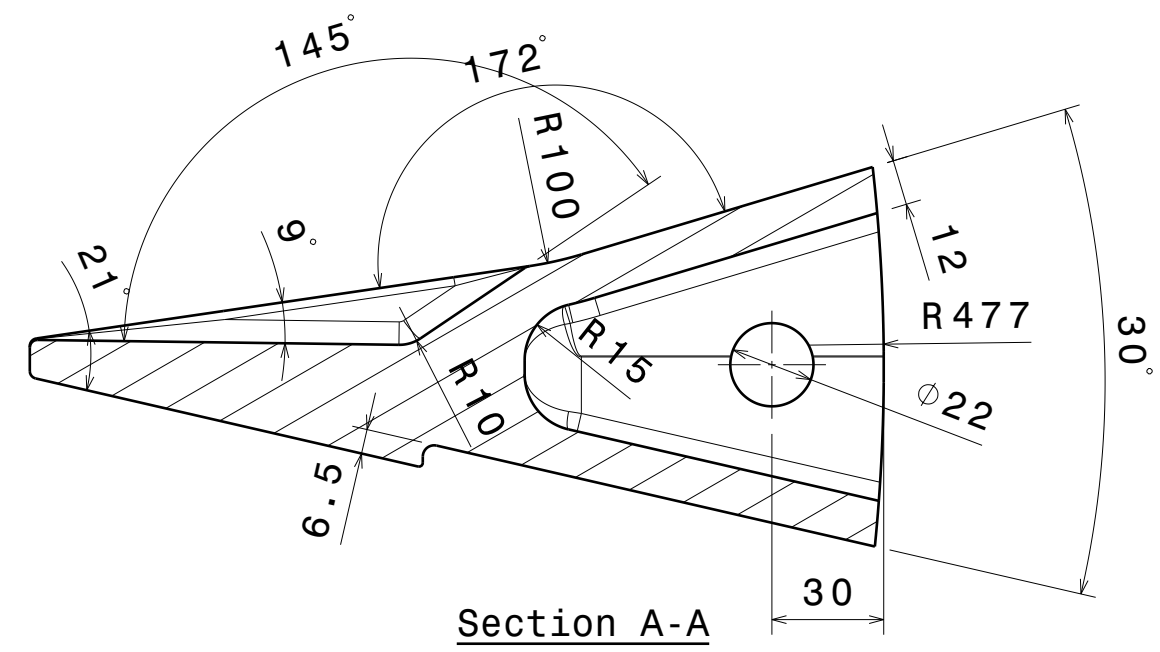
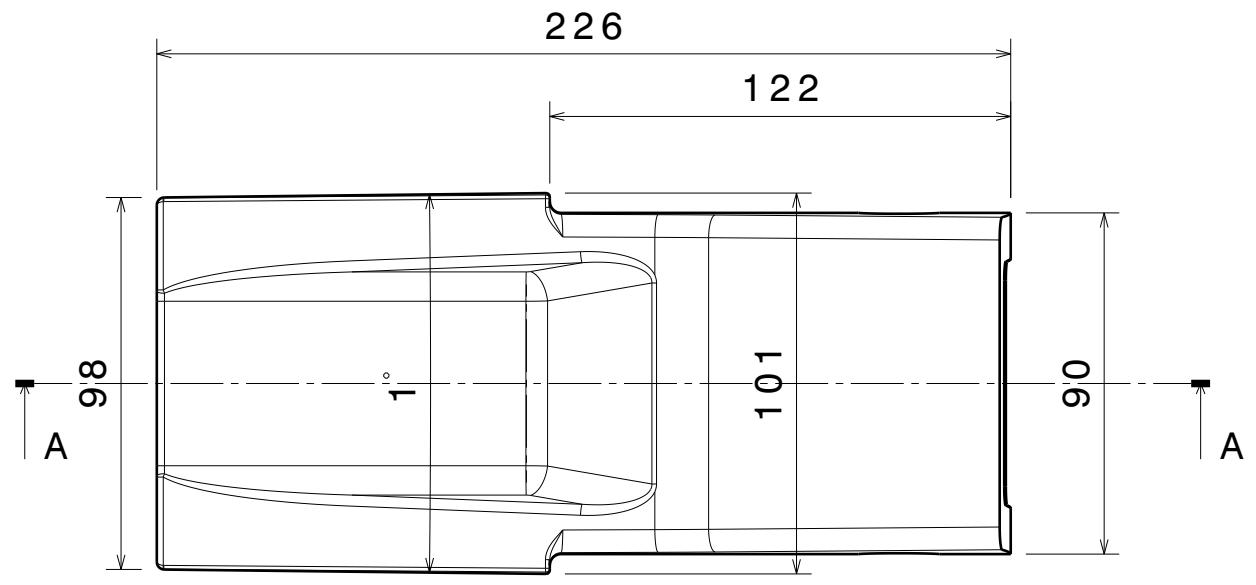


Tolerance

coasting	Fabricaton
Foam puya	ISO 2768(c)



Isometric



Surface Qualities (DIN 4766 T2)

Zarrin kupal Puya No.	10	⑨	8	7	6	5	4	3	2	1
Micron Ra	25	12.5	6.3	3.2	1.6	0.8	0.4	0.2	0.1	0.05
Machining Symbols	—	~	∇	∇	∇∇					

		POOLAD FOAM PUYA Co.			
Project : Fork		Sheet 1 of 1 All Dimensions are in mm			
General Revision Rev. Modification	95.5.30 Date	M.Absalan Drawn	E.Froozan Checked	Appr.	
Prototype Drawn Check Appr.	E.Froozan M.Absalan K.Salekfard H.Sorkhabi	Title: ZL50		Drawing No:(A3)	
Scale: N.T.S	Material: See part list	Weight Kg: See part list	Rev.		

4

3

2

1

This drawing is our property. It can't be reproduced or communicated without our written agreement.