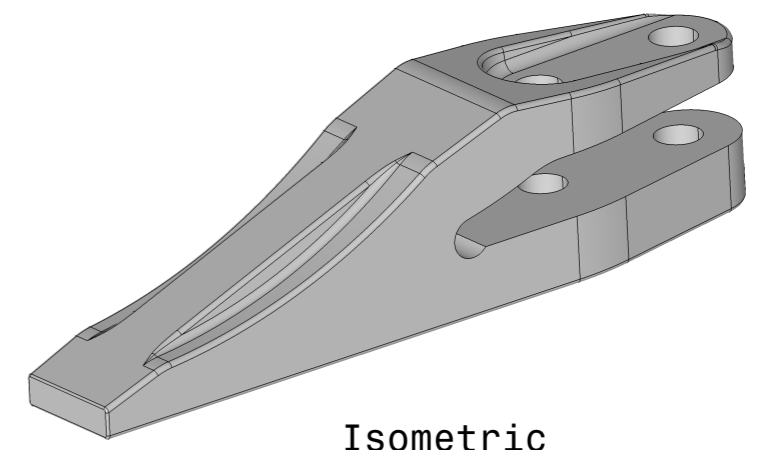
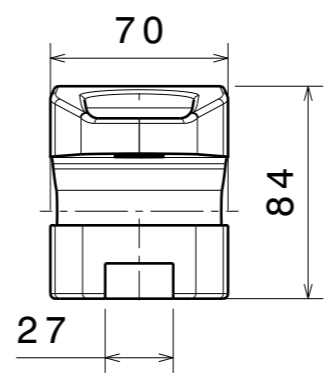
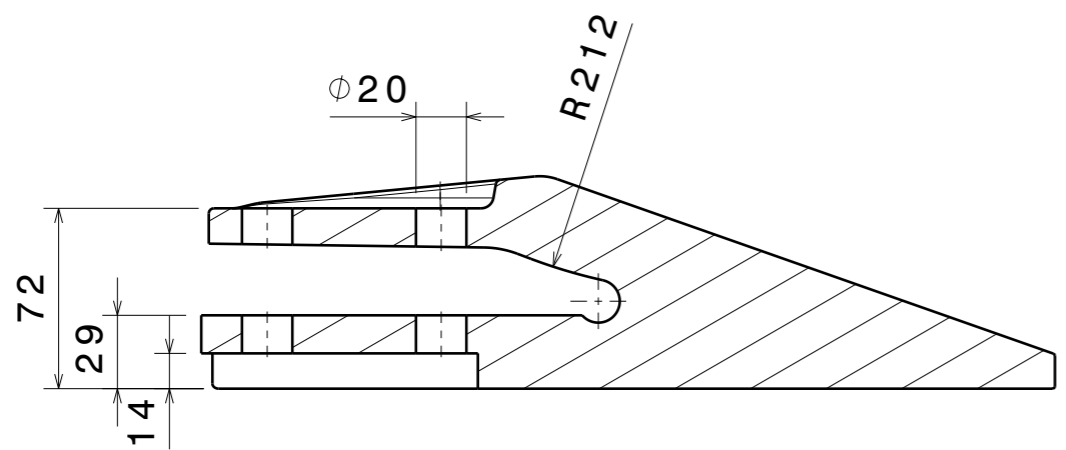


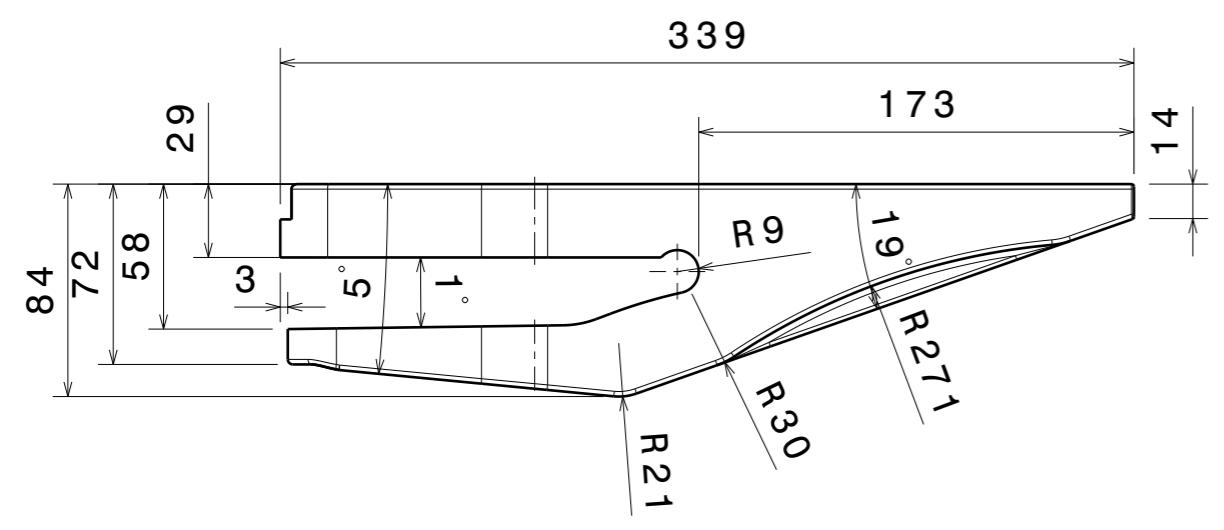
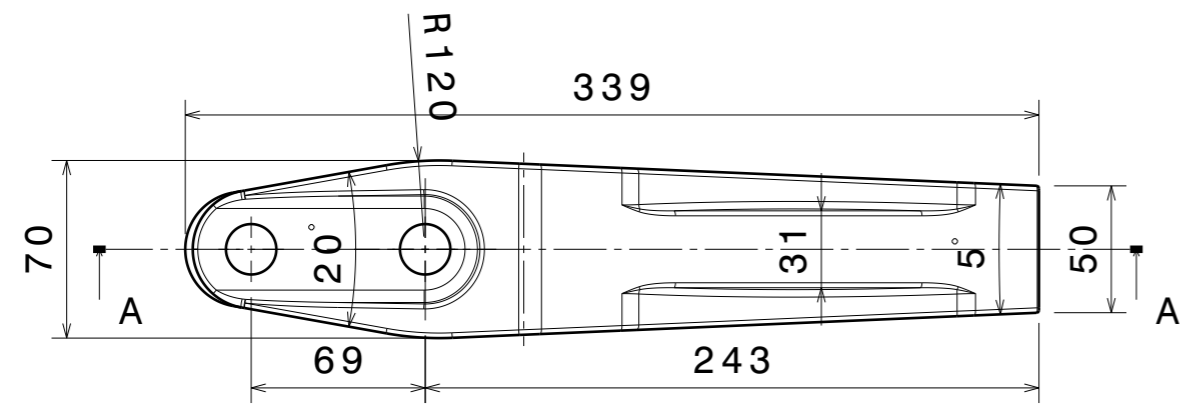
Tolerance	
coasting	Fabricaton
Foam puya	ISO 2768(c)





Isometric



Section A-A



Surface Qualities (DIN 4766 T2)										
Zarrin kupal Puya No.	10	⑨	8	7	6	5	4	3	2	1
Micron Ra	25	12.5	6.3	3.2	1.6	0.8	0.4	0.2	0.1	0.05
Machining Symbols	—	~	▽	∇	∇∇					

		POOLAD FOAM PUYA Co.				
Project : Fork		Sheet 1 of 1				
All Dimensions are in mm						
Prototype	E.Froozan	Title:				
Drawn	M.Absalan	LG930				
Check	K.Salekfard					
Appr.	H.Sorkhabi					
Scale:	Material:	Weight Kg:	Drawing No:(A3)		Rev.	
N.T.S	See part list	See part list			◆	

Rev.	Modification	Date	Drawn	Checked	Appr.
◆	General Revision	95.6.9	M.Absalan	E.Froozan	

This drawing is our property. It can't be reproduced or communicated without our written agreement.