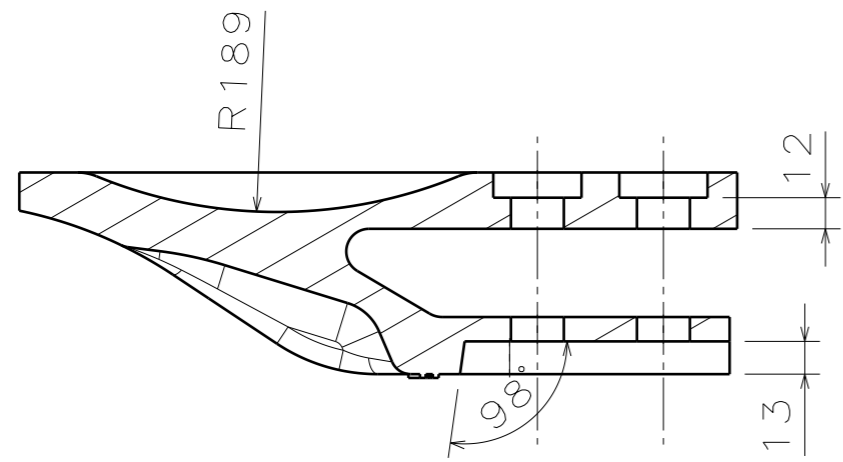
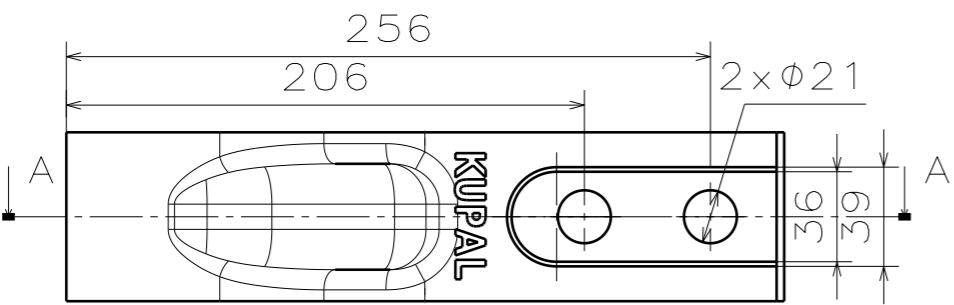
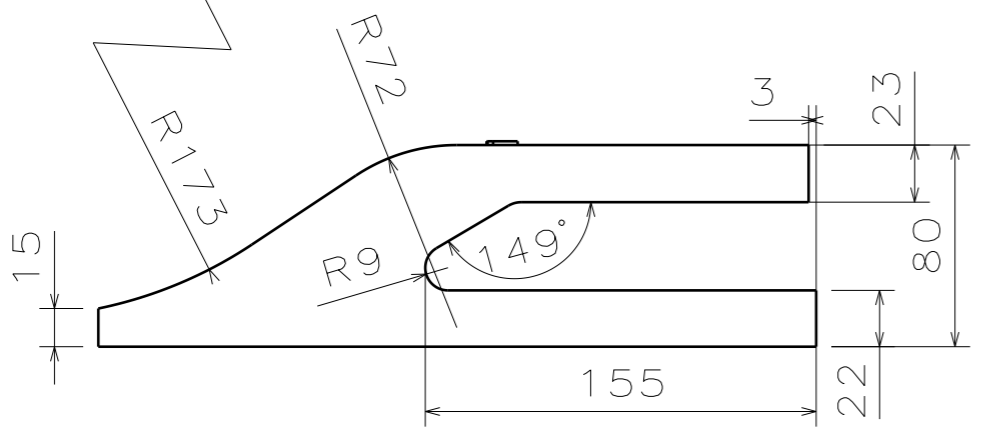
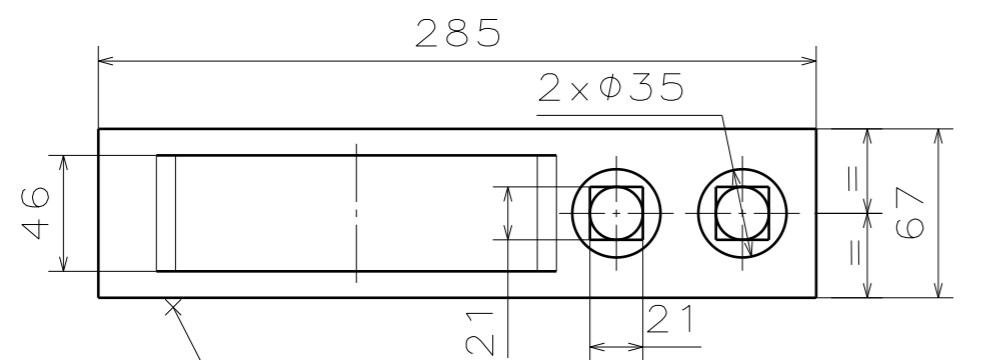
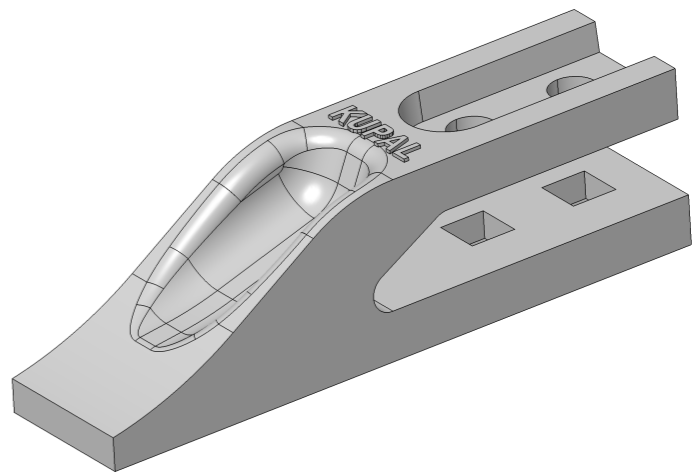


Tolerance	
coasting	Fabricaton
Foam puya	ISO 2768(m)


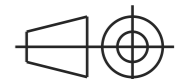



Section A-A



Isometric

Surface Qualities (DIN 4766 T2)										
Zarrin kupal Puya No.	10	⑨	8	7	6	5	4	3	2	1
Micron Ra	25	12.5	6.3	3.2	1.6	0.8	0.4	0.2	0.1	0.05
Machining Symbols	—	~	∇	∇	∇∇					

 ZARRIN KUPAL PUYA Co.						 Sheet 1 of 1 All Dimensions are in mm	
Project : ZK650						Title: Tooth	
Prototype	E.Froozan		Date		91.8.21		
Drawn	M.Absalan		Drawn		M.Absalan		
Check	K.Salekfard		Checked		E.Froozan		
Appr.	H.Sorkhabi		Appr.		M.Amini		
Scale:	Material:		Weight Kg:		Drawing No:(A3)		
N.T.S	See part list		See part list		BU0-06-13		
						Rev. 	

4

3

2

1

This drawing is our property. It can't be reproduced or communicated without