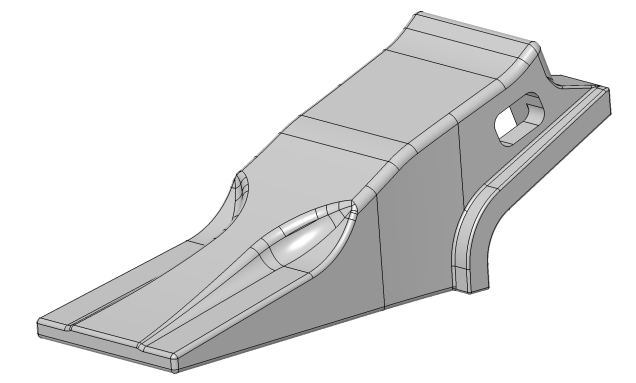
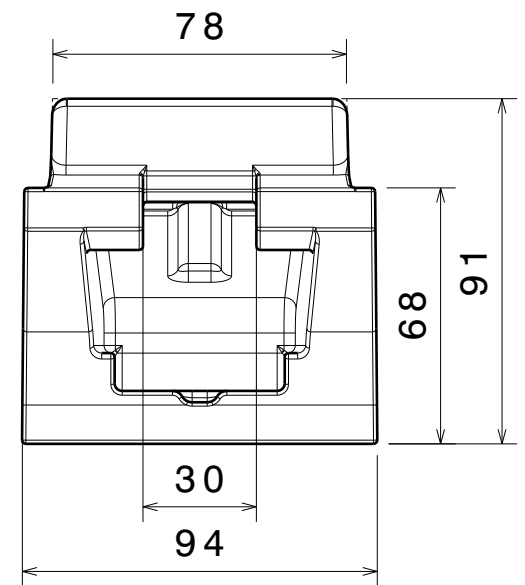
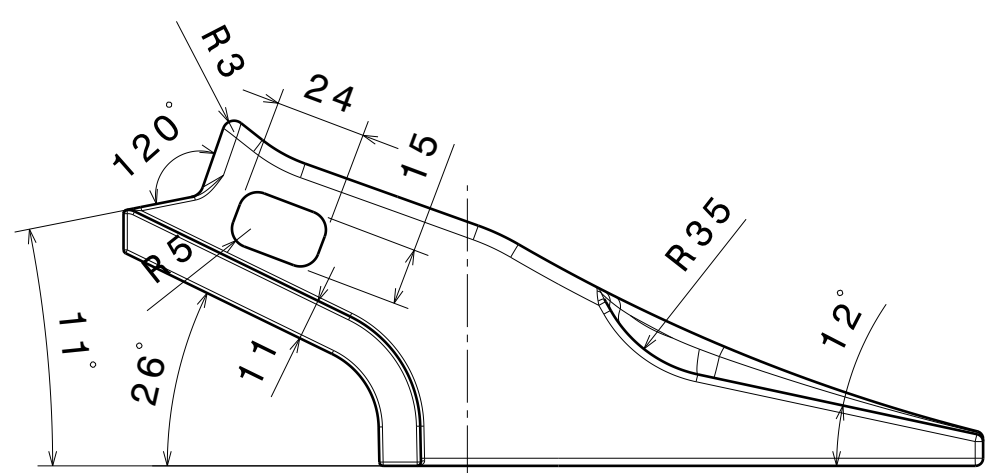


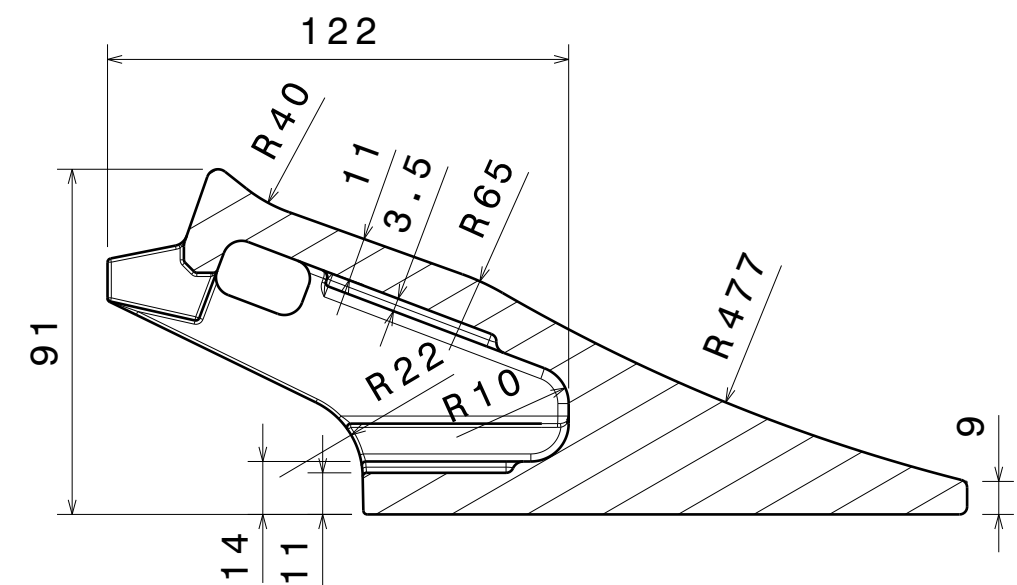
H G F E D C B A

Tolerance

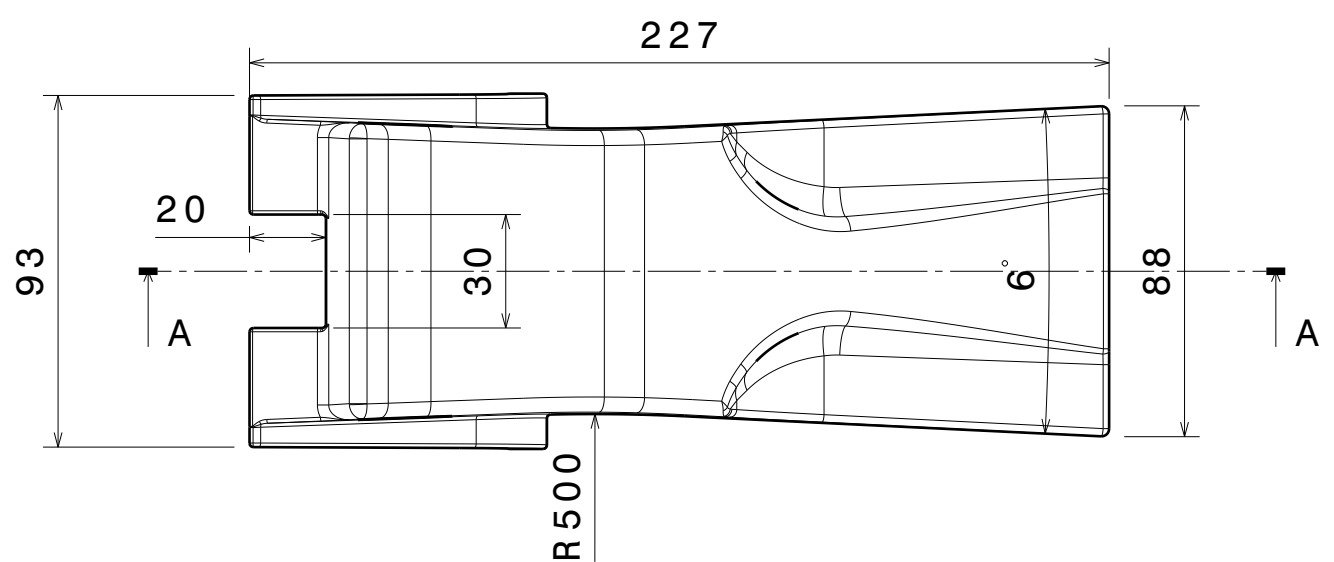
| | |
|-----------|-------------|
| coasting | Fabricaton |
| Foam puya | ISO 2768(c) |



Isometric



Section A-A



Surface Qualities (DIN 4766 T2)

| | | | | | | | | | | |
|-----------------------|----|------|-----|-----|-----|-----|-----|-----|-----|------|
| Zarrin kupal Puya No. | 10 | ⑨ | 8 | 7 | 6 | 5 | 4 | 3 | 2 | 1 |
| Micron Ra | 25 | 12.5 | 6.3 | 3.2 | 1.6 | 0.8 | 0.4 | 0.2 | 0.1 | 0.05 |
| Machining Symbols | — | ~ | ▽ | ∇ | ∇∇ | | | | | |

| | | | | | | |
|--------------------------------------|---|--|-----------------|------|------|--|
| | | POOLAD FOAM PUYA Co. | | | | |
| Project : Fork | | Sheet 1 of 1 All Dimensions are in mm | | | | |
| Prototype Drawn Check Appr. | E.Froozan M.Absalan K.Salekfard H.Sorkhabi | Title: | | Rev. | | |
| Scale: N.T.S | Material: See part list | Weight Kg: See part list | Drawing No:(A3) | | Rev. | |

4

3

2

1

H G F E D C B A

This drawing is our property. It can't be reproduced or communicated without our written agreement.