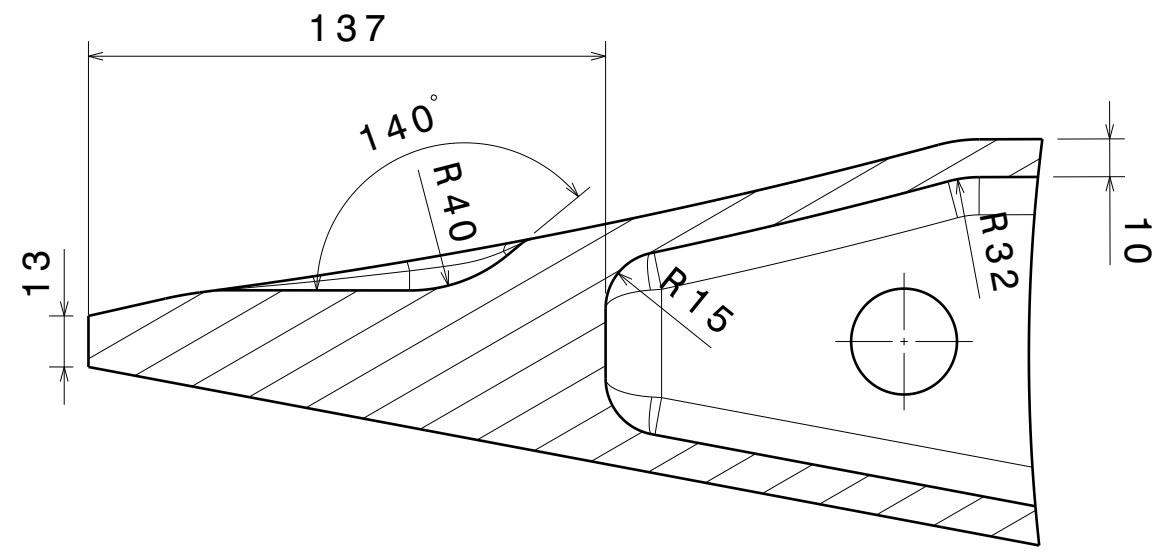


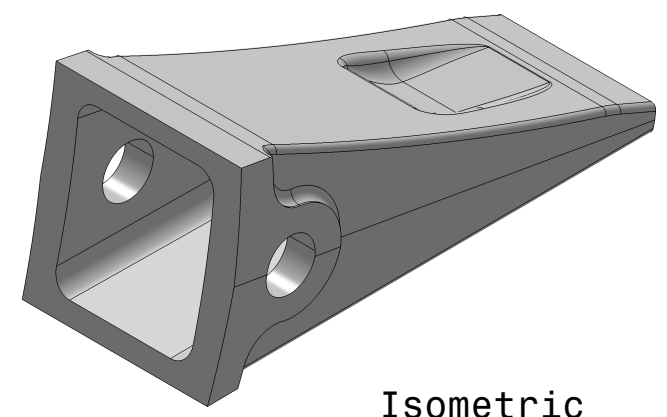
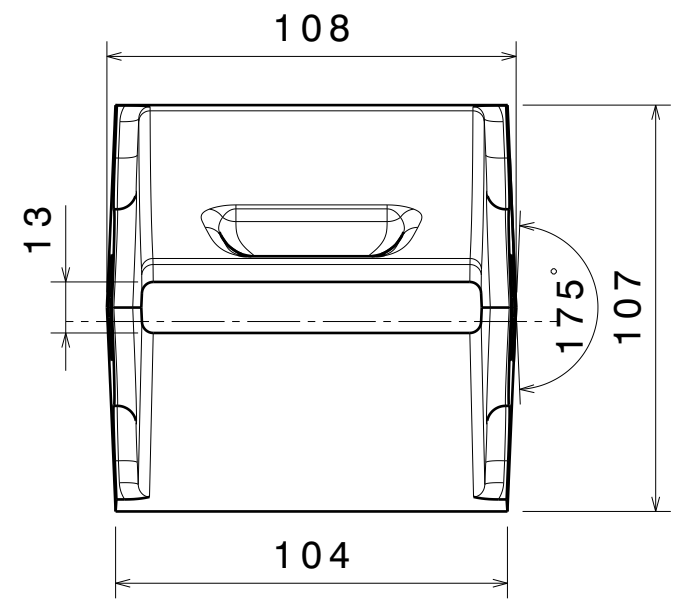
H G F E D C B A

Tolerance

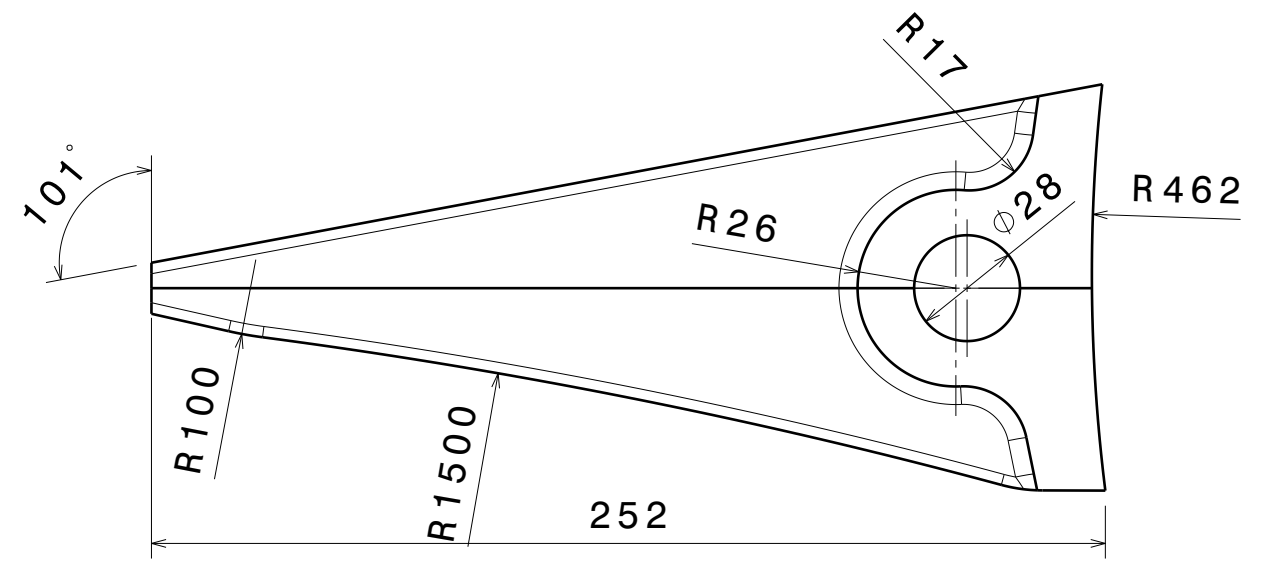
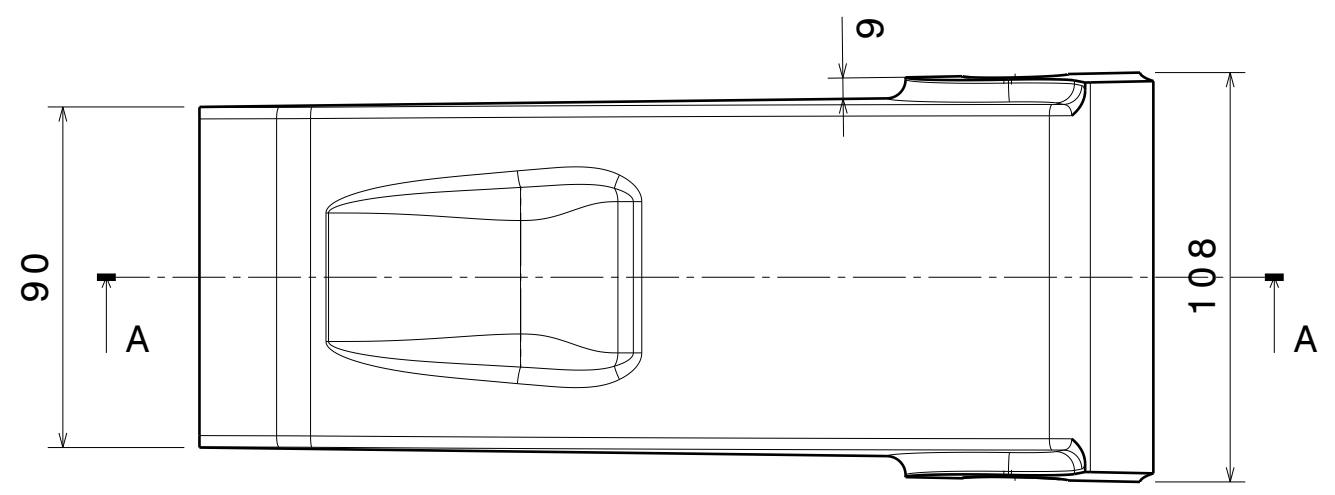
coasting	Fabricaton
Foam puya	ISO 2768(c)



Section A-A


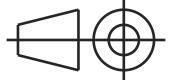
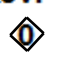


Isometric



Surface Qualities (DIN 4766 T2)

Zarrin kupal Puya No.	10	⑨	8	7	6	5	4	3	2	1
Micron Ra	25	12.5	6.3	3.2	1.6	0.8	0.4	0.2	0.1	0.05
Machining Symbols	—	~	∇	∇	∇∇					

		POOLAD FOAM PUYA Co.					
Project : Fork		Sheet 1 of 1 All Dimensions are in mm					
Prototype E.Asgari Drawn M.Absalan Check K.Salekfard Appr. H.Sorkhabi Scale: N.T.S	E.Asgari M.Absalan K.Salekfard H.Sorkhabi Material: See part list Weight Kg: See part list	Title: VOX 7-8 Drawing No:(A3)	Rev. 	96.2.16 Date	M.Absalan Drawn	M.Absalan Checked	Appr.
General Revision		96.2.16		M.Absalan		M.Absalan	
Rev.		Modification		Date		Drawn	

H G F E D C B A

This drawing is our property. It can't be reproduced or communicated without our written agreement.