

4

3

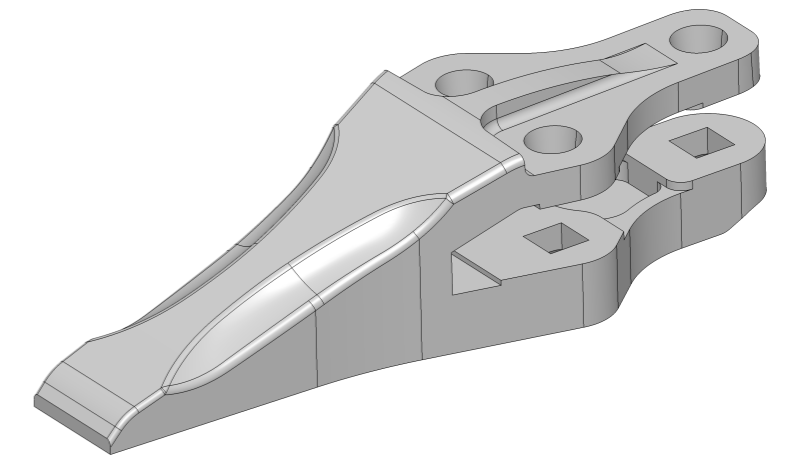
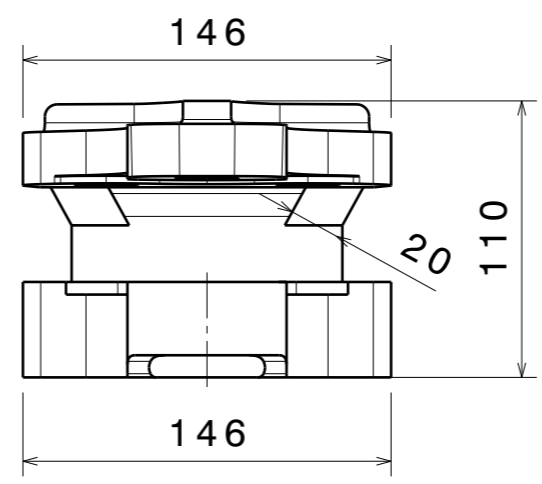
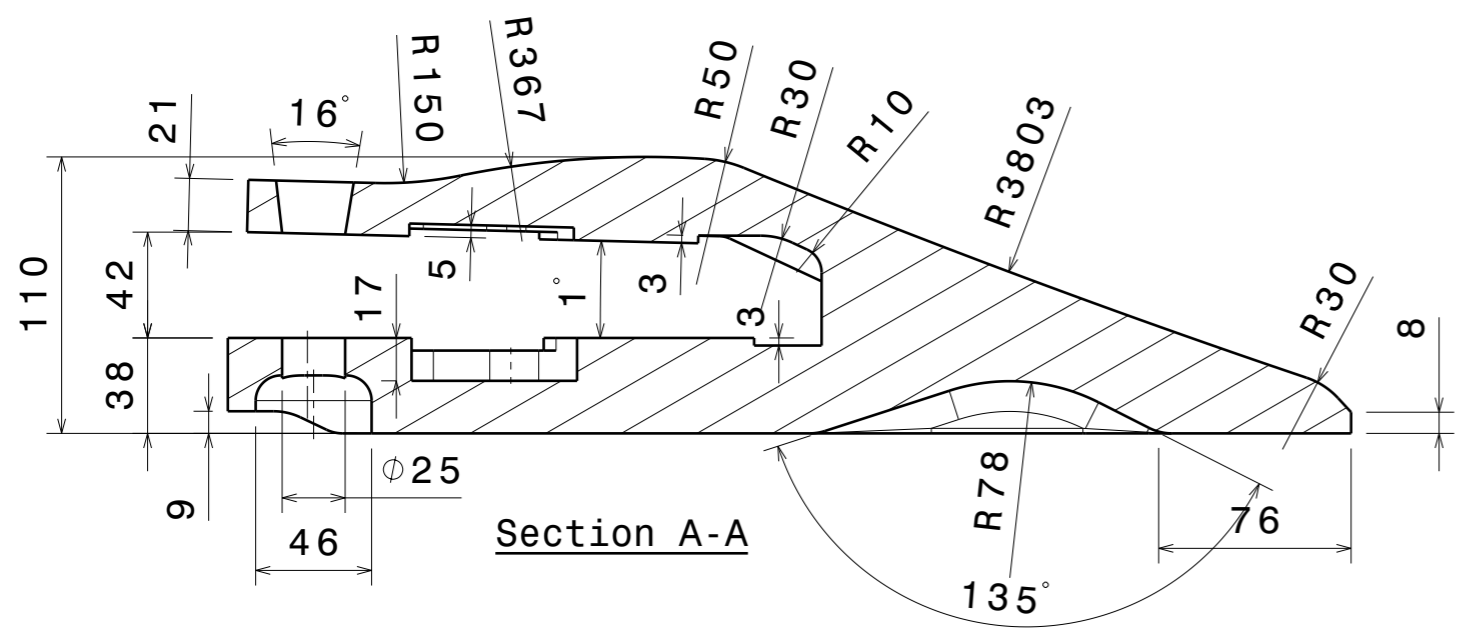
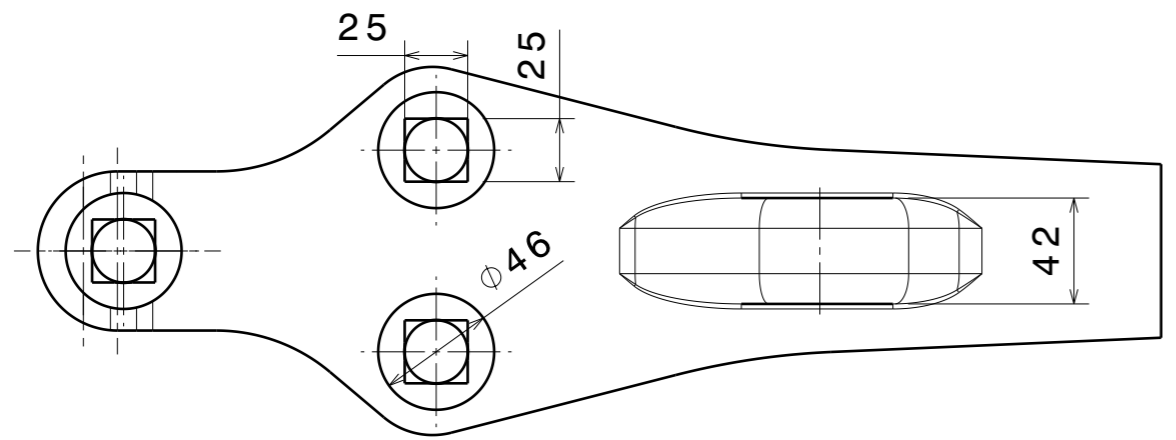
2

1

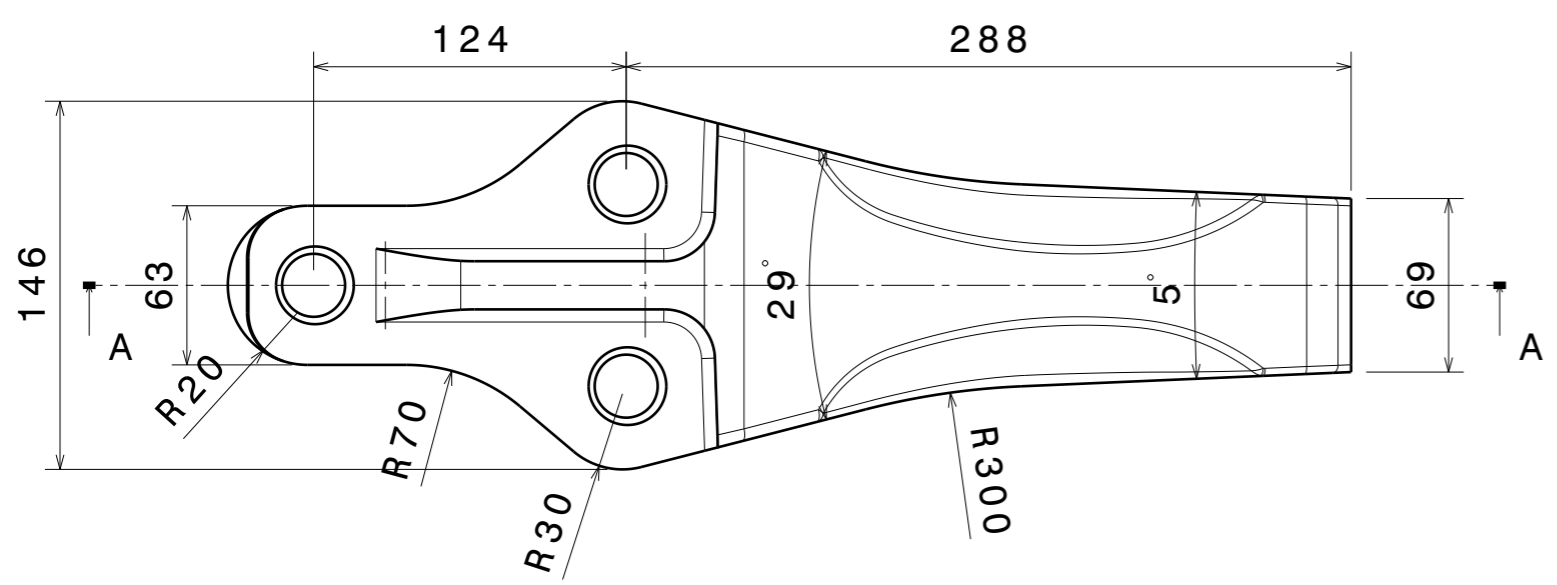
H G F E D C B A

Tolerance

coasting	Fabricaton
Foam puya	ISO 2768(c)






Isometric



Surface Qualities (DIN 4766 T2)

Zarrin kupal Puya No.	10	⑨	8	7	6	5	4	3	2	1
Micron Ra	25	12.5	6.3	3.2	1.6	0.8	0.4	0.2	0.1	0.05
Machining Symbols	—	~	∇	∇	∇					

General Revision		96.8.8	M.Absalan	E.Froozan	
Rev.	Modification	Date	Drawn	Checked	Appr.
 POOLAD FOAM PUYA Co.		Project : Fork			 Sheet 1 of 1 All Dimensions are in mm
		Prototype: E.Froozan Drawn: M.Absalan Check: K.Salekford Appr.: H.Sorkhabi	Title: Vox 120 Drawing No: (A3)		Rev. 
Scale: N.T.S	Material: See part list	Weight Kg: See part list			

H G B A

This drawing is our property. It can't be reproduced or communicated without our written agreement.