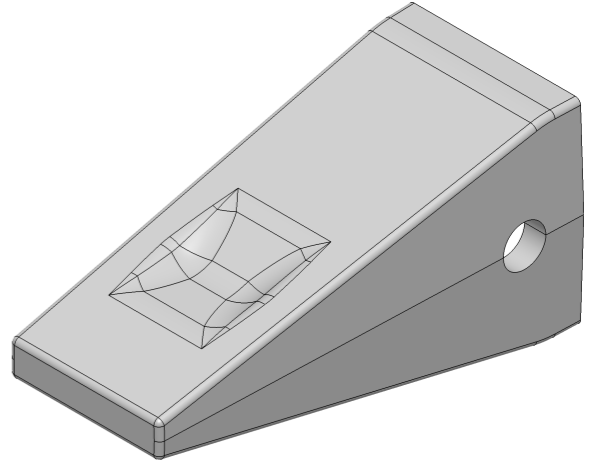
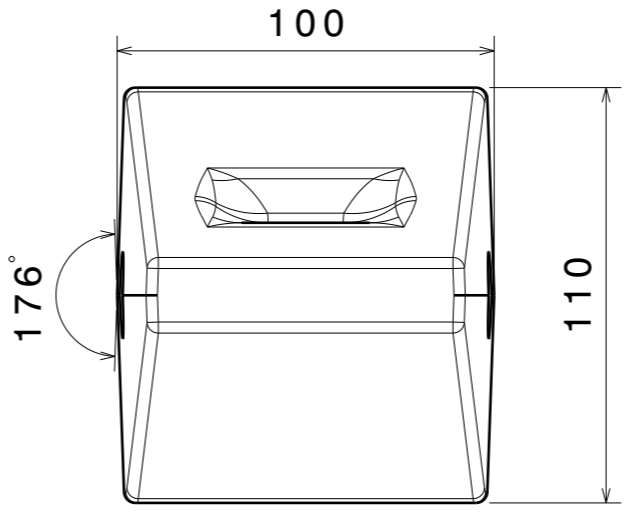
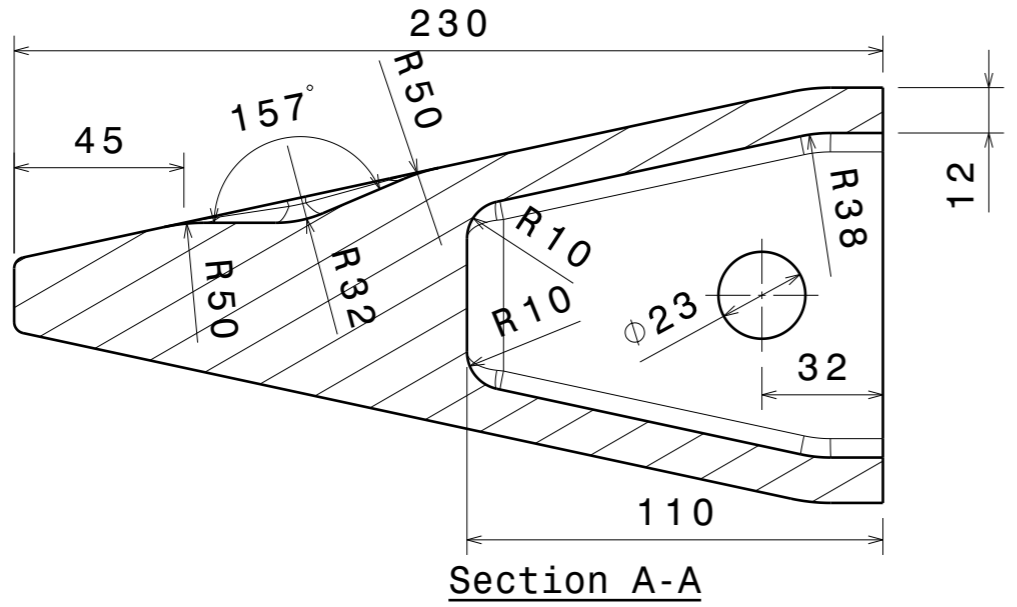
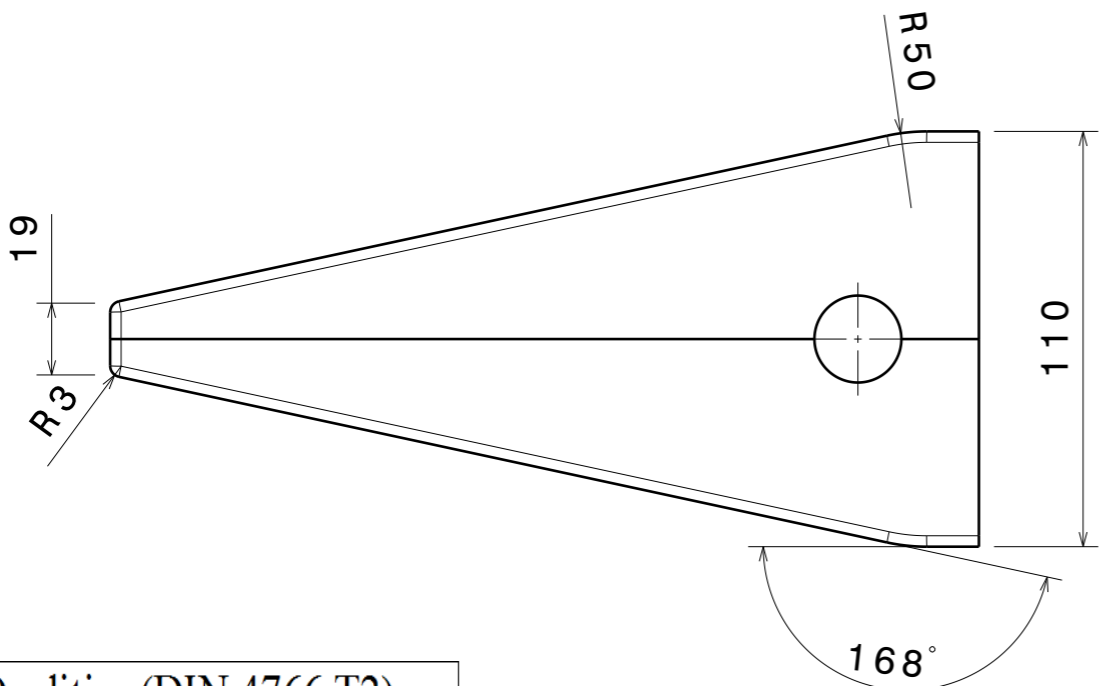
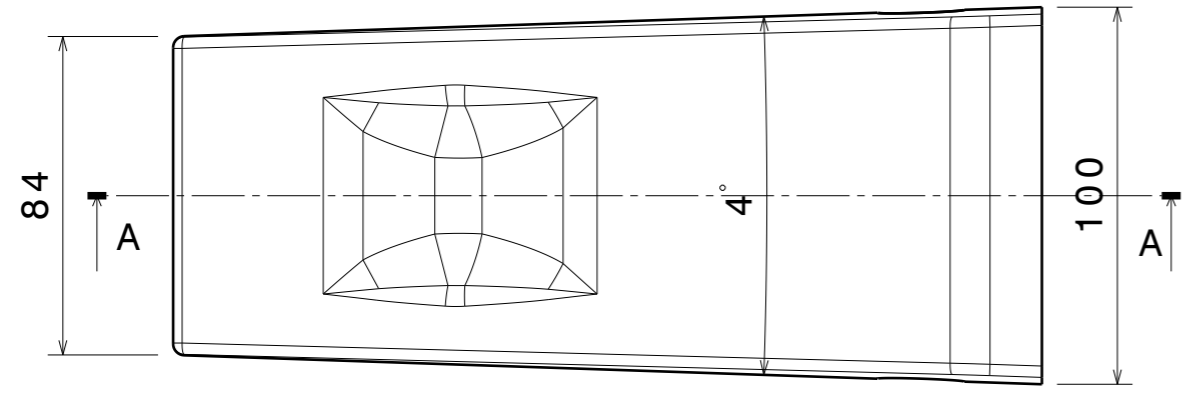


H G F E D C B A


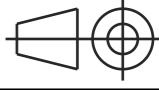
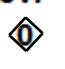
Tolerance	
coasting	Fabricaton
Foam puya	ISO 2768(c)



Isometric



Surface Qualities (DIN 4766 T2)										
Zarrin kupal Puya No.	10	⑨	8	7	6	5	4	3	2	1
Micron Ra	25	12.5	6.3	3.2	1.6	0.8	0.4	0.2	0.1	0.05
Machining Symbols	—	~	∇	∇	∇∇					

		POOLAD FOAM PUYA Co.				
Project : Fork		Sheet 1 of 1 All Dimensions are in mm				
Prototype E.Froozan	Drawn M.Absalan	Check K.Salekfard	Appr. H.Sorkhabi	Title: Vox 856		
Scale: N.T.S	Material: See part list	Weight Kg: See part list	Drawing No:(A3)		Rev. 	
General Revision		96.10.19	M.Absalan	E.Froozan		
Rev.	Modification	Date	Drawn	Checked	Appr.	

4

3

2

1

H G F E D C B A

This drawing is our property. It can't be reproduced or communicated without our written agreement.